



**Warewashing
520537_Hood type dishwasher,
Pressure,Single Skin,60R/H,
Veetsan**

ITEM # _____

MODEL # _____

NAME # _____

SIS # _____

AIA # _____



520537 (VHT60)

HOOD TYPE DISHWASHER,
Pressure,Single Skin,60R/H,
Veetsan

Short Form Specification

Item No. _____

304 Stainless steel construction to include single skin hood, external, front and side panels, wash tank. Uses 2.5 liters of clean water per final rinse cycle. minimum 82°C rinse temperature guaranteed. Washing performance is guaranteed by a powerful 0.8 kW wash pump and revolving washing spray arms. The unit can be convertible from straight to corner operation and delivered on height-adjustable feet.

Main Features

- 60/90/120 seconds cycle. Max washing capacity of 60 baskets or 1080 dishes per hour.
- An effective rinse system uses only 2.5 liters of clean hot water per basket for lower running costs.
- Built-in pressure boiler designed to raise incoming water to a guaranteed minimum temperature of 82°C for sanitizing rinse. No external boiler is required.
- Diamond-shaped ceiling guides water with detergent to drip along the side panels during the rinse phase instead of on the wares for a good rinsing result.
- Slanted wash arms to avoid detergent-filled wash water dropping on clean dishes before the rinsing phase, thus guaranteeing ideal washing results.
- Few seconds (variable) pause after washing and before rinsing ensures that no drops of unclean water will fall on the clean items.
- Cycle may be interrupted at any time by lifting the hood.
- Digital read-out keeps operator informed as to temperatures.
- Electronic controls with built-in programming, self-diagnostics.
- IPX 4 water protection.
- The machine can be connected to cold water.

Construction

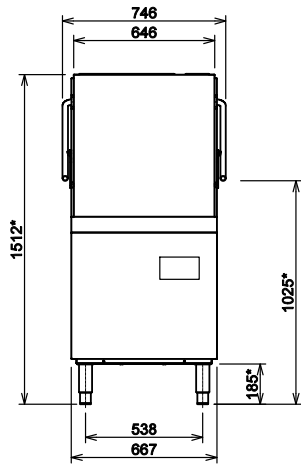
- Single skin hood supported by 2 springs to ensure smooth movement and guarantee operator safety.
- Heavy duty Stainless steel construction. Internal cavity as well as exterior panels are in 304 series Stainless steel.
- Pressed tank in front position to facilitate cleaning.
- Element protection from dry fire and low water.
- Interchangeable wash/rinse arms screw out for simple clean up.

Optional Accessories

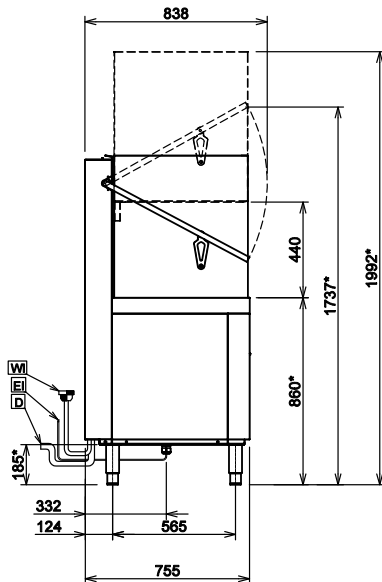
- STABBING BASKET 18 DISHES 500*500MM PNC 888023
- FLAT BASKET FOR CUTLERY CONTAINERS 500*500mm PNC 888024
- Power cord - 3.5 meter, RVV3*6MM+2*4MM PNC 888025

APPROVAL: _____

Front



Side



CW11 = Cold Water inlet 1
(cleaning)

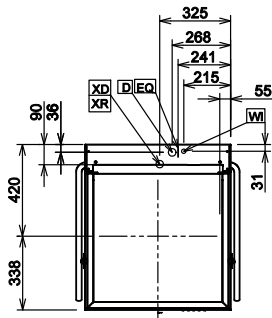
D = Drain

EI = Electrical inlet (power)

EO = Electrical Outlet

WI = Water inlet

Top



Electric

Supply voltage:

520537 (VHT60) 380-400 V/3N ph/50 Hz

Default Installed Power: 15.8 kW

Boiler Heating Elements Power: 12 kW

Tank heating elements: 3 kW

Wash pump size: 0.8 kW

Water:

Inlet water line size: G 3/4"

Water supply temperature*: 10-60 °C

Drain line size: 20.5 mm

Inlet water supply pressure: 2-3 bar

Water consumption per cycle (lt): 2.5

Boiler Capacity (lt): 7

Tank Capacity (lt): 24

Key Information:

N° of cycles: 3

Baskets per hour*: 60

Working cycles time (sec.): 60/90/120

Cell dimensions - width: 590 mm

Cell dimensions - depth: 560 mm

Cell dimensions - height: 440 mm

Wash temperature: 55-65 °C

Rinse temperature: 80-90 °C

External dimensions, Width: 746 mm

External dimensions, Depth: 755 mm

External dimensions, Height: 1512 mm

Net weight: 105 kg

Shipping weight: 117 kg

Shipping height: 1730 mm

Shipping width: 920 mm

Shipping depth: 770 mm

Shipping volume: 1.23 m³

Noise level: <68 dBA